

THERMOBILE INDUSTRIES

THERMOBILE[®]

Spare parts AT 306/7

Thermobile Industries BV +31(0)76 587 34 50

Fax +31 (0)76 587 27 89 info@thermobile.nl www.thermobile.com

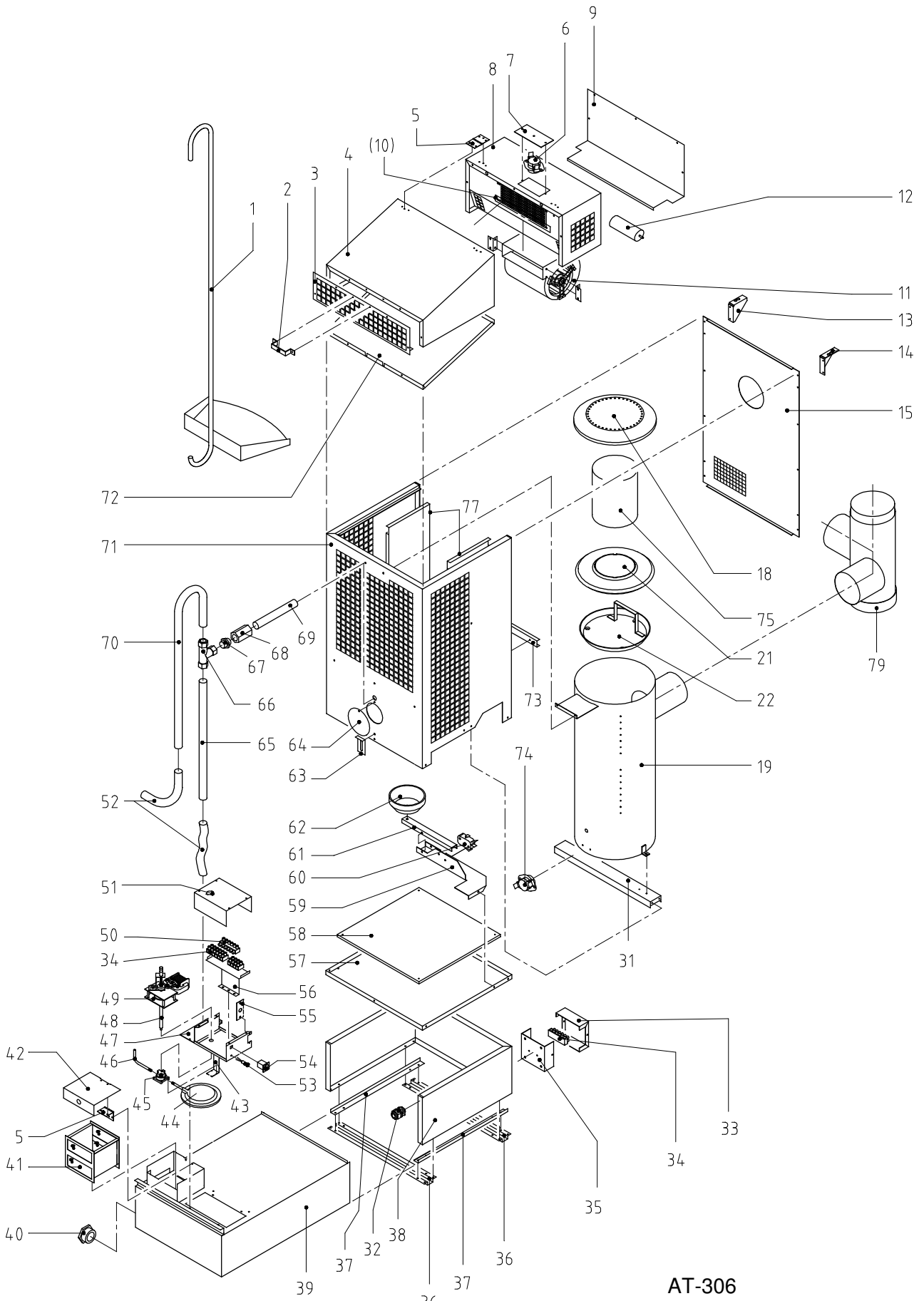
Thermobile UK Ltd +44 (0) 2476 35 79 60

Fax +44(0) 2476 35 79 69 info@thermobile.co.uk www.thermobile.co.uk

Thermobile France S.a.r.l. +33(0)2 38 76 59 25

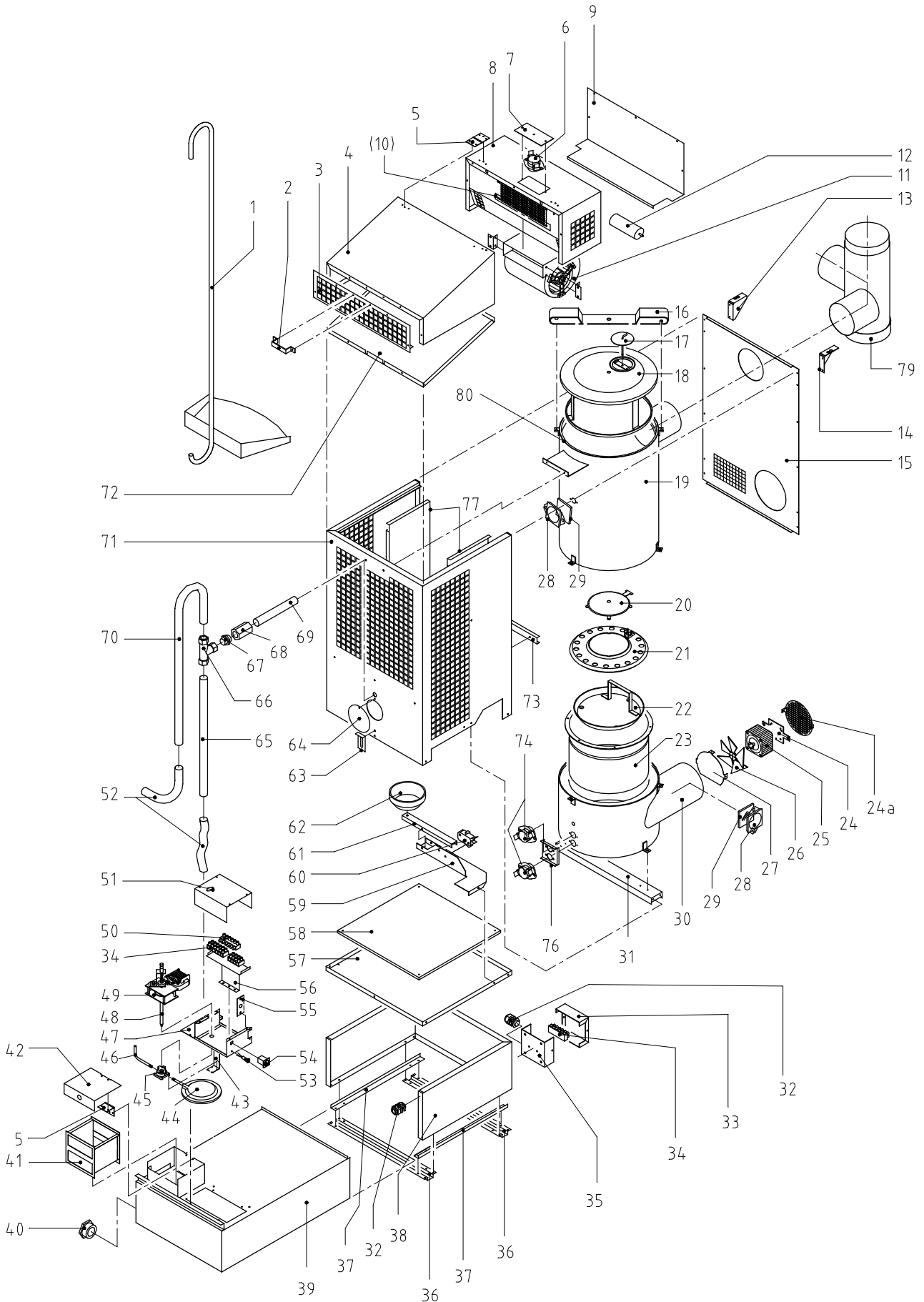
Fax +33(0)2 38 76 58 93 info@thermobile.fr www.thermobile.fr

AT-306



THERMOBILE INDUSTRIES

AT-307



Parts List 40021014__00 SERVICE AT 306/7

THERMOBILE INDUSTRIES

Pos.	AT 306	AT 307	English
1	41.900.606	41.900.606	SHOVEL
2	46.100.308	46.100.308	LEVER
3	41.904.081_8957/02	41.904.081_8957/02	GRILLE
4	41.904.080_6365	41.904.080_6365	HEAT DISTRIBUTOR
5	41.900.937	41.900.937	HINGE
6	41.000.206	41.000.206	LIMIT THERMOSTAT
7	41.904.096_8957/04	41.904.096_8957/04	COVER PLATE
8	41.904.099_8957	41.904.099_8957	FAN BOX
9	41.904.103_8957	41.904.103_8957	BACK PLATE
11	41.906.094	41.906.094	FAN MOTOR
12	41.906.096	41.906.096	CAPACITOR 3 μF
13	41.904.088_8957	41.904.088_8957	SUPPORT LEFT
14	41.904.089_8957	41.904.089_8957	SUPPORT RIGHT
15	41.905.003	41.906.045/06	BACK PLATE
16		41.900.736_8957	SEALING COVER
17		41.910.268/01	EXPLOSION COVER
18	41.900.512	41.900.730	COVER COMBUSTION CHAMBER
19	41.904.074/04	41.906.034/03	COMBUSTION CHAMBER
20		41.900.975	HEAT SHIELD
21	41.900.519	41.900.974/01	BURNER RING
21a	41.900.597		UPPER RING
22	41.900.521	41.900.521	COMBUSTION DISH
23		41.906.126	VAPORIZING SECTION
24		41.906.005_8957/01	MOTOR BRACKET
24a		41.921.020_8957/01	PROTECTION GRILLE
25		41.900.812	MOTOR
26		41.900.804	COMBUSTION FAN
27		41.906.043	RADIATION SHIELD
28		41.900.773	GLASSHOLDER
29		41.900.776	INSPECTION WINDOW
30		41.906.127_8957/01	CIRCULATION BOX
31	41.904.045	41.904.045	COMBUSTIONCHAMBER SUPPORT
32	40.503.006	40.503.006	CABLE INLET GLAND
32a	40.202.098	40.202.098	NUT
33	41.904.217	41.904.217	UPPER SECTION
34	40.506.807	40.506.807	CROWN STRIP (male)
35	41.904.216	41.904.216	BASE
36	41.904.018	41.904.018	U PROFILE
37	41.906.019	41.906.019	CORNER PIECE
38	41.906.211_6365/01	41.906.211_6365/01	UNDER COVER
39	41.906.006_8957/03	41.906.006_8957/03	FUEL TANK

THERMOBILE INDUSTRIES

Pos.	AT 306	AT 307	English
40	41.900.936	41.900.936	DRAIN TAP
40a	41.900.955	41.900.955	KEY
41	41.904.090	41.904.090	FUEL TANK FILTER
42	41.904.028_8957/01	41.904.028_8957/01	COVER
43	41.904.030	41.904.030	PUMP SUPPORT
44	41.900.609	41.900.609	FUEL FILTER
45	41.900.591	41.900.591	FUEL PUMP
46	41.900.605	41.900.605	PIPE
47	41.904.220_8957/01	41.904.220_8957/01	CONTROL PANEL
48	41.904.052	41.904.052	DRIVE SHAFT
48a	40.502.000	40.502.000	SPLIT
49	41.900.590	41.900.590	PUMP MOTOR
50	40.506.806	40.506.806	CROWN STRIP (female)
51	41.904.219_6365	41.904.219_6365	COVER
52	41.904.064	41.904.064	FUEL SUPPLY HOSE
53	41.900.598	41.900.598	PILOT LIGHT
54	40.507.025	40.507.025	SWITCH PLATE
55	41.906.030_8957	41.906.030_8957	PLATE
56	41.906.026	41.906.026	CROWN STRIP BRACKET
57	41.906.020_8957	41.906.020_8957	FUEL COLLECTOR
58	41.906.021	41.906.021	HEAT DEFLECTOR
59	41.906.071	41.906.071	BRACKET
60	41.910.004	41.910.004	SWITCH
61	41.906.061	41.906.061	BRACKET
62	41.910.185	41.910.185	OVERFLOW CUP
63	41.904.032_8957	41.904.032_8957	LOCKING
64	41.900.570_8957	41.900.570_8957	COVER PLATE
65	41.904.053	41.904.053	DOSING PIPE
66	41.900.676	41.900.676	3 WAY T-CONNECTOR
67	40.406.007	40.406.007	HOSE COUPLING
68	41.904.055	41.904.055	SOCKET COUPLING BOX
69	41.906.010	41.906.010	DRIP FEED PIPE
70	41.904.054	41.904.054	RETURNN PIPE
71	41.906.016_8957/10	41.906.016_8957/10	JACKET
72	41.904.082/01	41.904.082/01	COOLING PLATE
73	41.904.061	41.904.061	BRACKET
74	40.000.167	40.000.167	THERMOSTAT
75	41.900.513/02		AFTER-BURNING CYLINDER
76	40.000.166/03	41.906.131	THERMOSTAT BRACKET
77	41.905.018/01	41.905.018/01	COOLING PLATE
78	40.503.006	40.503.006	CABLE INLET GLAND
79	41.900.680	41.900.680	T-PIECE WITH DRAFT REGULATOR
80		41.900.805	SEALING CORD
81	41.905.002_8957		TOP PLATE

THERMOBILE INDUSTRIES

Pos.	AT 306	AT 307	Nederlands
1	41.900.606	41.900.606	SCHEP
2	46.100.308	46.100.308	HANDGREEP
3	41.904.081_8957/02	41.904.081_8957/02	GRIL
4	41.904.080_6363	41.904.080_6365	THERMO KAST
5	41.900.937	41.900.937	SCHARNIER
6	41.000.206	41.000.206	MAXIMAAL THERMOSTAAT
7	41.904.096_8957/04	41.904.096_8957/04	AFDEKPLAAT
8	41.904.099_8957	41.904.099_8957	VENTILATORHUIS
9	41.904.103_8957	41.904.103_8957	ACHTERPLAAT
11	41.906.094	41.906.094	RADIAAL VENTILATOR
12	41.906.096	41.906.096	CONDENSATOR 3 µF
13	41.904.088_8957	41.904.088_8957	STEUN LINKS
14	41.904.089_8957	41.904.089_8957	STEUN RECHTS
15	41.905.003	41.906.045	ACHTERPLAAT
16		41.900.736_8957	SLUITING DEKSEL
17		41.910.268	EXPLOSIE DEKSEL
18	41.900.512	41.900.730	DEKSEL VERBRANDINGSKAMER
19	41.904.074/04	41.906.034	VERBRANDINGSKAMER
20		41.900.975	STRALINGSPLAAT
21	41.900.519	41.900.974	BRANDERRING
21a	41.900.597		BETONRING
22	41.900.521	41.900.521	BRANDERSCHAAL
23		41.906.126	BRANDERPOT
24		41.906.005_8957	MOTOR BEUGEL
24a		41.921.020_8957	ROOSTER
25		41.900.812	MOTOR
26		41.900.804	WAAIER
27		41.906.043	KOELPLAAT
28		41.900.773	KIJKGLASHOUDER
29		41.900.776	KIJKGLAS
30		41.906.127_8957	CIRCULATIE KAST
31	41.904.045	41.904.045	BRANDERKAMER STEUN
32	40.503.006	40.503.006	WARTEL
32a	40.202.098	40.202.098	MOER
33	41.904.217	41.904.217	AFDEK KAP
34	40.506.806	40.506.806	KROON STRIP (man)
35	41.904.216	41.904.216	ONDERSTUK
36	41.904.018	41.904.018	U PROFIEL
37	41.906.019	41.906.019	HOEK STUK
38	41.906.211_6365/01	41.906.211_6365/01	CONSOLE
39	41.906.006_8957/03	41.906.006_8957/03	OLIE TANK
40	41.900.936	41.900.936	AFTAP PLUG
40a	41.900.955	41.900.955	SLEUTEL
41	41.904.090	41.904.090	OLIE TANK FILTER
42	41.904.028_8957	41.904.028_8957	DEKSEL

THERMOBILE INDUSTRIES

Pos.	AT 306	AT 307	Nederlands
43	41.904.030	41.904.030	PUMP STEUN
44	41.900.609	41.900.609	FUEL FILTER
45	41.900.591	41.900.591	OLIE POMP
46	41.900.605	41.900.605	PIJP
47	41.904.220_8957/01	41.904.220_8957/01	CONTROLE PANEEL
48	41.904.052	41.904.052	AANDRIJFAS
48a	40.502.000	40.502.000	SPLITPEN
49	41.900.590	41.900.590	POMP MOTOR
50	40.506.807	40.506.807	KROON STRIP(vrouw)
51	41.904.219_6365	41.904.219_6365	AFDEKKAP
52	00.003.226	00.003.226	OLIE AANVOERSLANG
53	41.900.598	41.900.598	CONTROLE LAMP
54	40.507.025	40.507.025	SCHAKELAAR
55	41.906.030_8957	41.906.030_8957	PLAAT
56	41.906.026	41.906.026	KROON STRIP STEUN
57	41.906.020_8957	41.906.020_8957	OLIE VERZAMELBAK
58	41.906.021	41.906.021	STRALINGSPLAAT
59	41.906.071	41.906.071	STEUN
60	41.910.004	41.910.004	SCHAKELAAR
61	41.906.061	41.906.061	STEUN
62	41.910.185	41.910.185	OVERLOOP BEKER
63	41.904.032_8957	41.904.032_8957	SLUITING
64	41.900.570_8957	41.900.570_8957	AFDEK PLAAT
65	41.904.053	41.904.053	AANVOERPIJP
66	41.900.676	41.900.676	T-STUK KOPPELING
67	40.406.007	40.406.007	SLANG KLEM
68	41.904.055	41.904.055	KOPPELING
69	41.906.010	41.906.010	INLOOPPIJP
70	41.904.054	41.904.054	RETOUR PIJP
71	41.906.016_8957/10	41.906.016_8957/10	MANTEL
72	41.904.082/01	41.904.082/01	KOEL PLAAT
73	41.904.061	41.904.061	STEUN
74	40.000.167	40.000.167	THERMOSTAAT
75	41.900.513/02		NAVERBRANDINGSCYLINDER
76	40.000.166/03	41.906.131	THERMOSTAAT STEUN
77	41.905.018/01	41.905.018/01	KOEL PLAAT
78	40.503.006	40.503.006	WARTEL
79	41.900.680	41.900.680	T-STUK
80		41.900.805	AFDICHTTINGSKOORD
81	41.905.002_8957		BOVENPLAAT

THERMOBILE INDUSTRIES

Pos.	AT 306	AT 307	Francais
1	41.900.606	41.900.606	PELLE
2	46.100.308	46.100.308	LEVIER
3	41.904.081_8957/02	41.904.081_8957/02	GRILLE
4	41.904.080_6365	41.904.080_6365	THERMODIFFUSEUR
5	41.900.937	41.900.937	CHARNIÈRE
6	41.000.206	41.000.206	MAXIMAL THERMOSTAT
7	41.904.096_8957/04	41.904.096_8957/04	TÔLE A RECOUVER
8	41.904.099_8957	41.904.099_8957	LOGEMENT DE VENTILATEUR
9	41.904.103_8957	41.904.103_8957	PAROI ARRIERE
11	41.906.094	41.906.094	RADIAL VENTILATEUR
12	41.906.096	41.906.096	CONDENSATEUR 3 µF
13	41.904.088_8957	41.904.088_8957	PAROI A GAUCHE
14	41.904.089_8957	41.904.089_8957	PAROI A DROITE
15	41.905.003	41.906.045	PAROI DU FOND
16		41.900.736_8957	FERMETURE DE COUVERCLE
17		41.910.268	COUVERCLE D EXPLOSION
18	41.900.512	41.900.730	COUVERCLE CHAMBRE DE COMBUST.
19	41.904.074/04	41.906.034/04	CHAMBRE DE COMBUSTION
20		41.900.975	PLAQUE DE CHALEUR
21	41.900.519	41.900.974	ANNEAU DE BRULEUR
21a	41.900.597		ANNEAU SUPERIEUR
22	41.900.521	41.900.521	COUPELLE DE COMBUSTION
23		41.906.126	FOYER A EVAPORATION
24		41.906.005_8957	MOTEUR COLLIER
24a		41.921.020_8957	GRILLE
25		41.900.812	MOTEUR
26		41.900.804	VENTILATEUR
27		41.906.043	PLAQUE DE RADIATION
28		41.900.773	FIXATEUR DU VERRE
29		41.900.776	FENETRE D INSPECTION
30		41.906.127_8957	BOITE A CIRCULATION
31	41.904.045	41.904.045	SUP. CHAMBRE DE COMBUSTION
32	40.503.006	40.503.006	GUIDE POUR CABLE
32a	40.202.098	40.202.098	ECROU
33	41.904.217	41.904.217	PARTIE SUPERIEURE
34	40.506.806	40.506.806	PRISE (male)
35	41.904.216	41.904.216	BASE
36	41.904.018	41.904.018	U PROFIL
37	41.906.019	41.906.019	PIECE D'ANGLE
38	41.906.211_6365/01	41.906.211_6365/01	CONSOLE
39	41.906.006_8957/03	41.906.006_8957/03	RESERVOIR DE FIOUL
40	41.900.936	41.900.936	VANNE DE VIDANGE
40a	41.900.955	41.900.955	CLAY
41	41.904.090	41.904.090	FILTER DE FIOUL

THERMOBILE INDUSTRIES

Pos.	AT 306	AT 307	Français
42	41.904.028_8957	41.904.028_8957	SOUPAPE
43	41.904.030	41.904.030	ANNEAU POUR POMPE
44	41.900.609	41.900.609	FILTRE DE FIOUL
45	41.900.591	41.900.591	POMPE A FIOUL
46	41.900.605	41.900.605	TUYAU
47	41.904.220_8957/01	41.904.220_8957/01	PANNEAU DE COMMANDE
48 48a	41.904.052 40.502.000	41.904.052 40.502.000	ARBRE D ACTIONNEMENT GOUPILLE
49	41.900.590	41.900.590	MOTEUR DE POMPE
50	40.506.807	40.506.807	PRISE(fem)
51	41.904.219_6365	41.904.219_6365	COUVERCLE
52	41.904.064	41.904.064	TUYAU D ARRIVEE DE FIOUL
53	41.900.598	41.900.598	LAMPE TEMOIN
54	40.507.025	40.507.025	INTERRUPTEUR
55	41.906.030_8957	41.906.030_8957	PLAQUE DE TRAVERSEE
56	41.906.026	41.906.026	BANDE A COURRONNE
57	41.906.020_8957	41.906.020_8957	BAC DE RECUPERATION
58	41.906.021	41.906.021	LAME DE REFROIDISSEMENT
59	41.906.071	41.906.071	COLLIER
60	41.910.004	41.910.004	INTERRUPTEUR
61	41.906.061	41.906.061	COLLIER
62	41.910.185	41.910.185	GOBELET DE TROP PLEIN
63	41.904.032_8957	41.904.032_8957	BLOCKAGE
64	41.900.570_8957	41.900.570_8957	TOLE A RECOUVRIR
65	41.904.053	41.904.053	PIPE DE FIOUL
66	41.900.676	41.900.676	ACCOUPLLEMENT 3 SORTIES
67	40.406.007	40.406.007	ACCOUPLLEMENT A BOYAUX
68	41.904.055	41.904.055	MACHON D'ACCOUPLLEMENT
69	41.906.010	41.906.010	TUYAU
70	41.904.054	41.904.054	TUYAU DE RETOUR
71	41.906.016_8957	41.906.016_8957	CARROSSERIE
72	41.904.082/01	41.904.082/01	AILLETTE
73	41.904.061	41.904.061	COLLIER
74	40.000.167	40.000.167	THERMOSTAT
75	41.900.513/02		CYLINDRE DE COMBUSTION
76	40.000.166/03	41.906.131	COLLIER THERMOSTAT
77	41.905.018/01	41.905.018/01	AILLETTE
78	40.503.006	40.503.006	GUIDE POUR CABLE
79	41.900.680	41.900.680	T-PIECE
80		41.900.805	CORDON ETANCHEITE
81	41.905.002_8957		AILLETTE

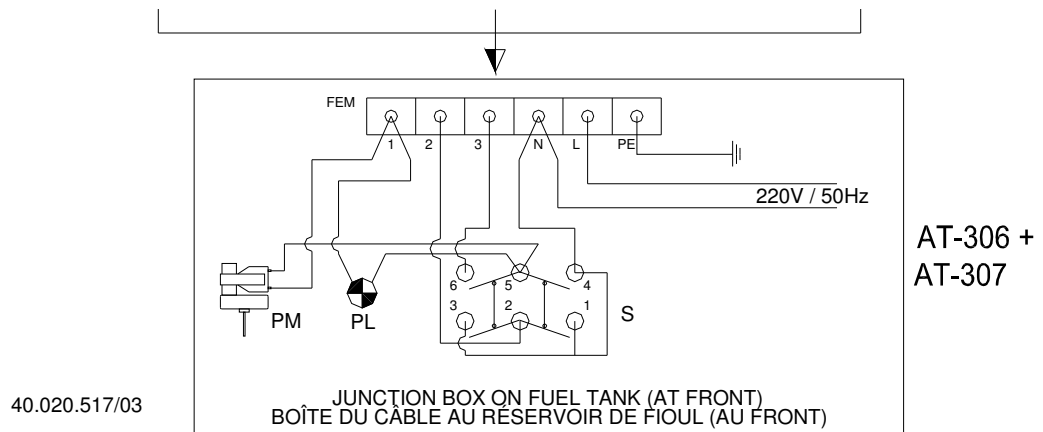
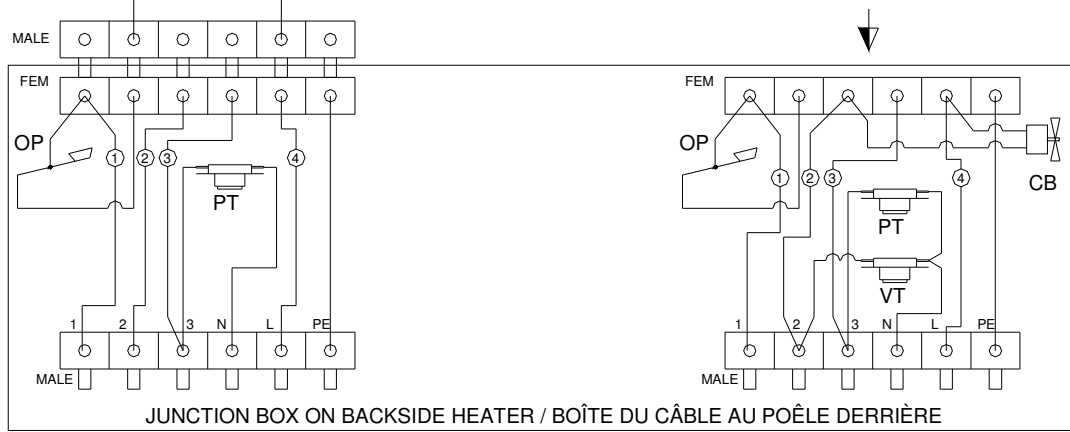
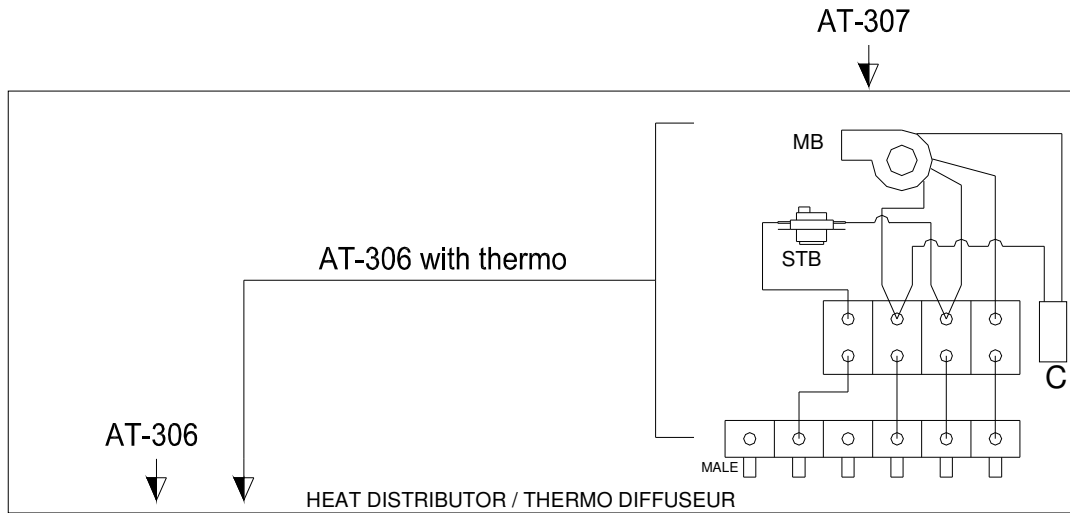
THERMOBILE INDUSTRIES

Pos.	AT 306	AT 307	Deutsch
1	41.900.606	41.900.606	SCHAUFEL
2	46.100.308	46.100.308	GRIFF
3	41.904.081_8957/02	41.904.081_8957/02	AUSBLASGITTER
4	41.904.080_6365	41.904.080_6365	VENTILATORGEHAUSE
5	41.900.937	41.900.937	SCHARNIER
6	41.000.206	41.000.206	MAXIMAAL THERMOSTAT
7	41.904.096_8957/04	41.904.096_8957/04	ABDECK PLATTE
8	41.904.099_8957	41.904.099_8957	VENTILATORGEHAUSE
9	41.904.103_8957	41.904.103_8957	PLATTE
11	41.906.094	41.906.094	RADIAAL VENTILATOR
12	41.906.096	41.906.096	KONDENSATOR 3 µF
13	41.904.088_8957	41.904.088_8957	STUTZE LINKS
14	41.904.089_8957	41.904.089_8957	STUTZE RECHTS
15	41.905.003/06	41.906.045	RUCKWAND
16		41.900.736_8957	DECKELVERSCHLUSS
17		41.910.268	EXPLOSION DECKEL
18	41.900.512	41.900.730	BRENNKAMMERDECKEL
19	41.904.074/04	41.906.034	BRENNKAMMER
20		41.900.975	KUHLPLATTE
21	41.900.519	41.900.974	BRENNERRING
21a	41.900.597		RING
22	41.900.521	41.900.521	BRENNERSCHALE
23		41.906.126	ABDAMPFPFANNE
24		41.906.005_8957	MOTORBUGEL
24a		41.921.020_8957	SCHUTZGITTER
25		41.900.812	MOTOR
26		41.900.804	VENTILATOR
27		41.906.043	KUHLPLATTE
28		41.900.773	SICHTFENSTER HALTER
29		41.900.776	SICHTFENSTER
30		41.906.127_8957	ZIRCULATIONSKESSEL
31	41.904.045	41.904.045	BRENNKAMMER STUTZE
32	40.503.006	40.503.006	KABELDURCHFUHR
32a	40.503.304	40.503.304	MUTTER
33	41.904.217	41.904.217	KAPPE
34	40.506.806	40.506.806	LUSTERKLEMME (man)
35	41.904.216	41.904.216	UNTERTEIL
36	41.904.018	41.904.018	U PROFIL
37	41.906.019	41.906.019	ECKSTUCK
38	41.906.211_6365/01	41.906.211_6365/01	MANTEL
39	41.906.006_8957/03	41.906.006_8957/03	OLIE TANK
40	41.900.936	41.900.936	AUSLAUF HAHN
40a	41.900.955	41.900.955	SCHLUSSEL
41	41.904.090	41.904.090	OL TANK FILTER

THERMOBILE INDUSTRIES

Pos.	AT 306	AT 307	Deutsch
42	41.904.028_8957	41.904.028_8957	DECKEL
43	41.904.030	41.904.030	PUMPEN STUTZE
44	41.900.609	41.900.609	OL FILTER
45	41.900.591	41.900.591	OL PUMPE
46	41.900.605	41.900.605	LEITUNG
47	41.904.220_8957/01	41.904.220_8957/01	BEDIENINGSBRETT
48	41.904.052	41.904.052	ANTRIEBSACHSE
48a	40.502.000	40.502.000	SPLINT
49	41.900.590	41.900.590	PUMPEN MOTOR
50	40.506.807	40.506.807	LUSTERKLEMME (frau)
51	41.904.219_6365	41.904.219_6365	ABDECK KAPPE
52	41.904.064	41.904.064	SCHLAUCH
53	41.900.598	41.900.598	KONTROLLAMPE
54	40.507.025	40.507.025	SCHALTER
55	41.906.030_8957	41.906.030_8957	PLATTE
56	41.906.026	41.906.026	LUSTERKLEMME STUTZE
57	41.906.020_8957	41.906.020_8957	OL SAMMEL BEHALTER
58	41.906.021	41.906.021	STRAHLUNGSPLATTE
59	41.906.071	41.906.071	STUTZE
60	41.910.004	41.910.004	SCHALTER
61	41.906.061	41.906.061	STUTZE
62	41.910.185	41.910.185	UBERLAUFGEFASS
63	41.904.032_8957	41.904.032_8957	VERSLUSS
64	41.900.570_8957	41.900.570_8957	ABDECK PLATTE
65	41.904.053	41.904.053	ZUFUHRROHR
66	41.900.676	41.900.676	KUPPLUNG
67	40.406.007	40.406.007	SLAUCH KLEMME
68	41.904.055	41.904.055	KUPPLUNG
69	41.906.010	41.906.010	EINLAUFROHR
70	41.904.054	41.904.054	RUCKLEITUNG
71	41.906.016_8957/10	41.906.016_8957/10	MANTEL
72	41.904.082/01	41.904.082/01	STRAHLUNGSPLATTE
73	41.904.061	41.904.061	STUTZE
74	40.000.167	40.000.167	THERMOSTAT
75	41.900.513/02		NACHVERBRENNUNGSZYLINDER
76	40.000.166/03	41.906.131	THERMOSTAT STUTZE
77	41.905.018/01	41.905.018/01	STRAHLUNGSPLATTE
78	40.503.006	40.503.006	KABELDURCHFUHR
79	41.900.680	41.900.680	T-STUCK
80		41.900.805	ABDICHTUNGSKORDE
81	41.905.002_8957		OBENPLATTE

THERMOBILE INDUSTRIES



40.020.517/03

THEMOBILE INDUSTRIES

EG-VERKLARING VAN OVEREENSTEMMING

THERMOBILE INDUSTRIES B.V.
Gevestigd aan de Konijnenberg 80 , 4825 BD BREDA,
Verklaren geheel onder eigen verantwoordelijkheid dat het producten,

**STATIONAIRE AFVALOLIE GESTOOKTE
LUCHTVERHITTER AT 306 307 400 500**

Voldoen aan de volgende EG – richtlijnen.
Machine-richtlijnen: 2006/42/EG
Laagspanningsrichtlijn: 2006/95/EG
EMC-richtlijn: 2004/108/EG

Nederland, Maurice de Vlieger Handtekening,
Breda, 23-3-2011 Sales & Marketing
Director

EG-KONFORMITÄTSERKLÄRUNG

THERMOBILE INDUSTRIES B.V.
Konijnenberg 80 , 4825 BD BREDA,

Erklären hiermit eigerverantwortlich , daß die Produkte,

**FESTSTEHENDE, MIT ALTÖ GEHEIZTE LUFTERHITZER
AT 306 307 400 500**

Wo auf sich diese Erklärung bezieht, hergestellt ist gemäß der
Bestimmungen der Richtlinien für:
Maschinen-Richtlinien: 2006/42/EG
Niederspannungsrichtlinie: 2006/95/EG
EMV-Richtlinie: 2004/108/EG

Die Niederlande, Maurice de Vlieger Unterschrift,
Breda, 23-3-2011 Sales & Marketing
Director

CE-DECLARATION OF CONFORMANCE

THERMOBILE INDUSTRIES B.V.
Konijnenberg 80 , 4825 BD BREDA,

Declares fully under own responsibility that the products:

**STATIONARY USED OIL HEATER
AT 306, 307 and 400, 500**

To which this statement has reference to, are in conformity with the
following regulations:
Machine-regulations: 2006/42/EC
Low Voltage Directive: 2006/95/EC
EMC-directive: 2004/108/EC

The Netherlands, Maurice de Vlieger Signature,
Breda, 23-3-2011 Sales & Marketing
Director

DÉCLARATION DE CONFORMITÉ CE

THERMOBILE INDUSTRIES B.V.
Konijnenberg 80 , 4825 BD BREDA, LES PAYS-BAS
Déclare sous sa seule responsabilité que les produits:

**GÉNÉRATEUR D'AIR CHAUD POUR
AT 306, 307, 400, 500**

Auxquels se réfère cette déclaration, sont conformes aux normes
suivantes:
Directive sur les machines:2006/42/CE
Directive sur la basse tension: 2006/95/CE
Directive sur la compatibilité électromagnétique: 2004/108/CE

Les Pays-Bas, Maurice de Vlieger Signature,
Breda, 23-3-2011 Sales & Marketing
Director

DECLARACIÓN DE CONFORMIDAD CE

THERMOBILE INDUSTRIES B.V.,
Konijnenberg 80, NL-4825 BD BREDA,
declara, bajo su propia responsabilidad, que los productos:

**GENERADORES DE AIRE CALIENTE DE USO ESTACIONARIO
QUE UTILIZAN ACEITE AT 306, 307, 400 and 500**

a los que se refiere esta declaración, se encuentran
en conformidad con las siguientes Directivas:
Directivas sobre máquinas: 2006/42/CE
Directiva de Bajo Voltaje: 2006/95/CE
Directiva sobre compatibilidad
electromagnética (EMC): 2004/108/CE

Holanda, Breda, Maurice de Vlieger Signature,
09-05-2011 Sales & Marketing
Director

ЕС-Декларация соответствия
THERMOBILE INDUSTRIES B.V.,
Konijnenberg 80, NL-4825 BD BREDA с
полной ответственностью заявляет, что изделия:

**ЖИДКОТОПЛИВНЫЕ НАГРЕВАТЕЛИ
НЕПРЯМОГО ТИПА AT 306 307 400 500**

соответствуют следующим директивам ЕС:
Нормативам по машиностроению.2006/42/ЕС
Нормативам по низкому напряжению.2006/95/ЕС
EMC-нормативам: 2004/108/ЕС

Нидерланды, Maurice de Vlieger
Бреда, Sales & Marketing
09-05-2011 Director