

Spare parts AT 400-500

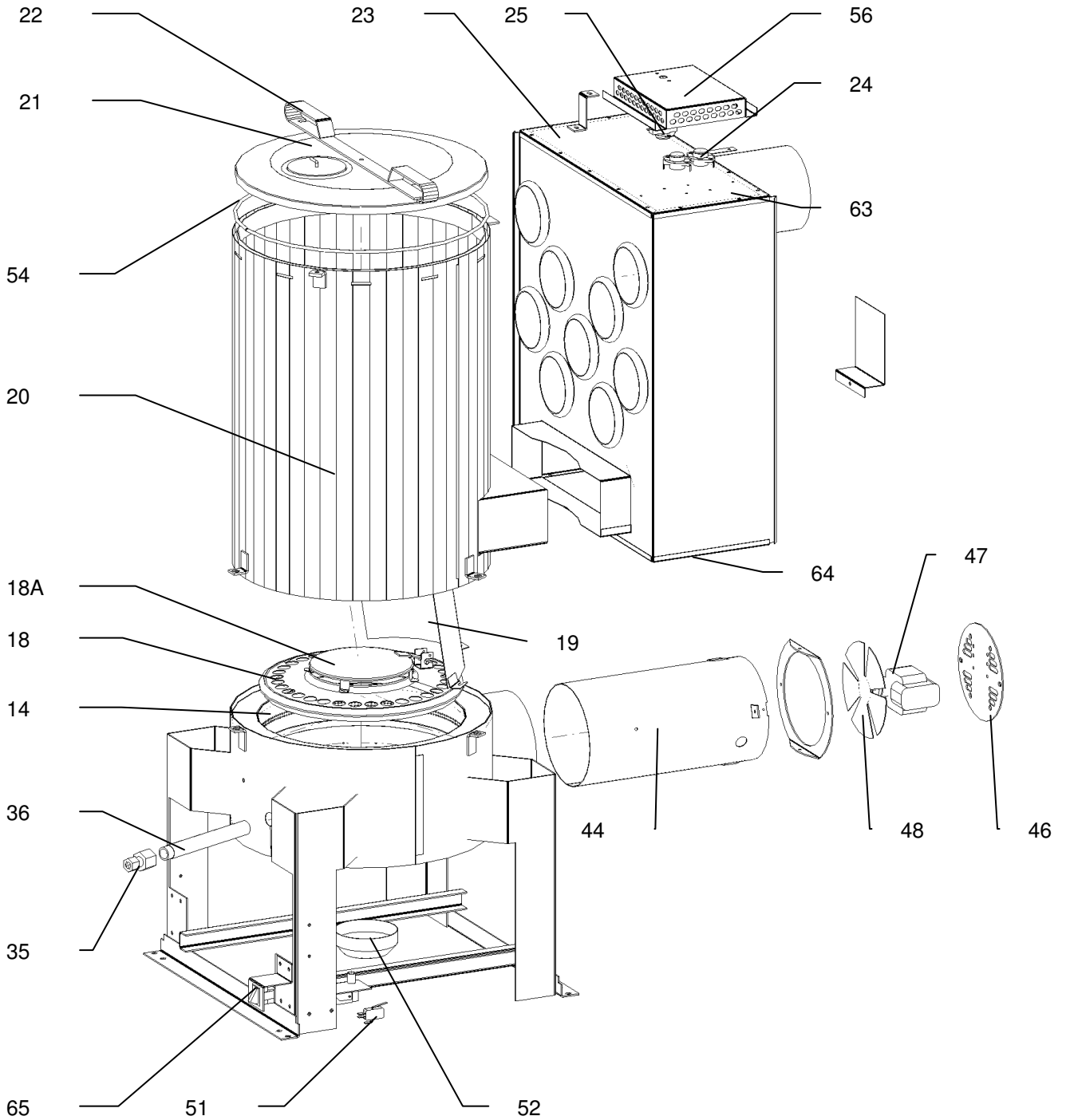
Thermobile Industries BV +31(0)76 587 34 50
Fax +31 (0)76 587 27 89 info@thermobile.nl www.thermobile.com

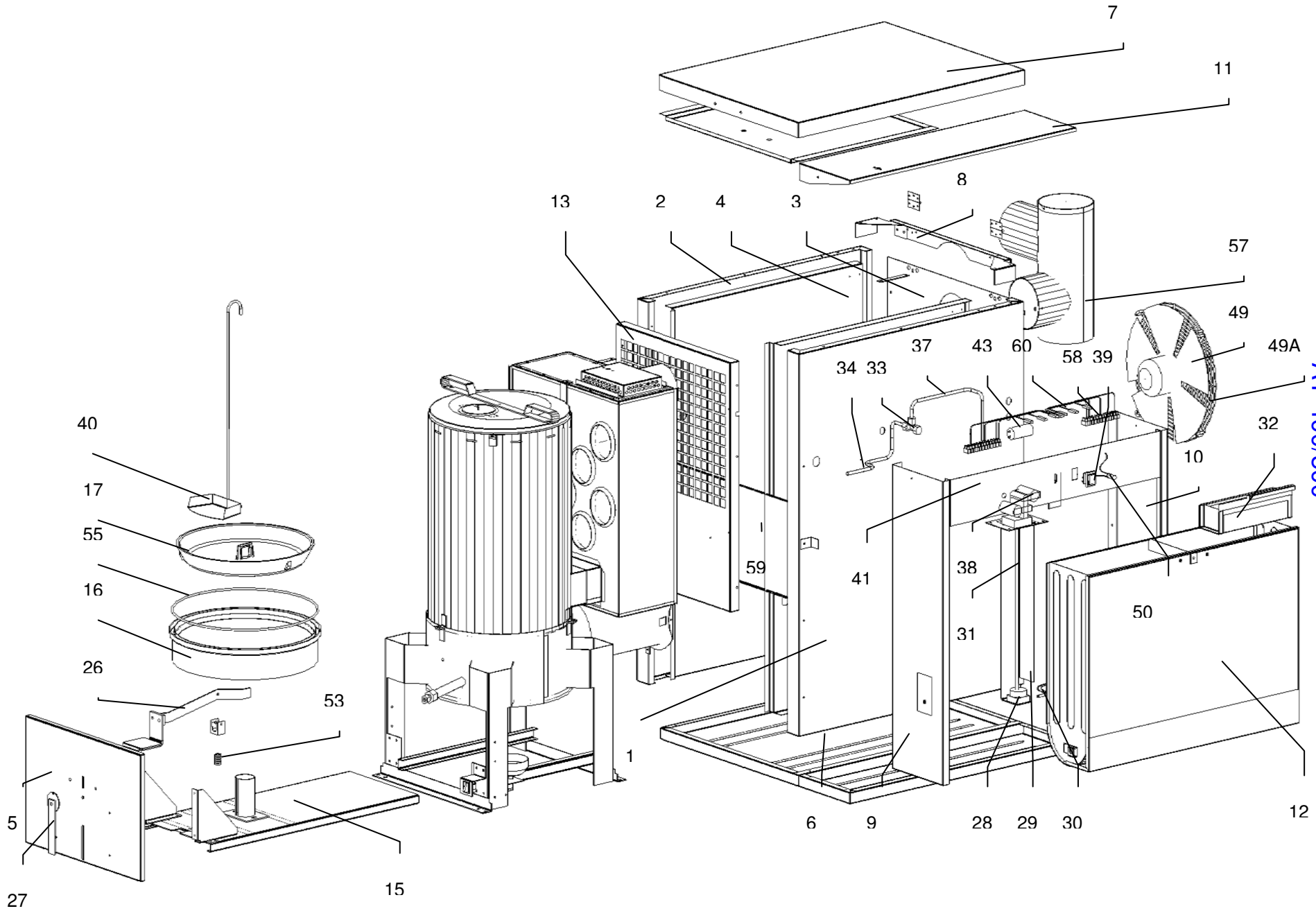
Thermobile UK Ltd +44 (0) 2476 35 79 60
Fax +44(0) 2476 35 79 69 info@thermobile.co.uk
www.thermobile.co.uk

Thermobile France S.a.r.l. +33(0)2 38 76 59 25
Fax +33(0)2 38 76 58 93 info@thermobile.fr www.thermobile.fr

THERMOBILE®

AT-400/500





THERMOBILE
AT-400/500

THERMOBILE®

	AT 400	AT 500	Specification English
1	41.925.012_6365	41.910.250_6365/05	SIDE PANEL RIGHT
2	41.925.011_6365	41.910.251_6365	SIDE PANEL LEFT
3	41.925.016_6365/02	41.910.295_6365/03	BACK PANEL
4	41.925.014	41.925.014	COOLING PLATE
5	41.910.123_6365	41.910.123_6365	SLIDE PANEL
5a	40.700.037	40.700.037	GRIP
6	41.910.073_8957/04	41.910.073_8957/04	BOTTOM PANEL
7	41.910.261_8957/03	41.910.261_8957/03	TOP LID
7a	40.700.037	40.700.037	GRIP
8	41.910.264/01	41.910.264/01	FRAME
8a	41.900.937	41.900.937	HINGE
9	41.925.018_6365/02	41.925.018_6365/02	PANEL LEFT
10	41.925.019_6365/01	41.925.019_6365/01	PANEL RIGHT
11	41.925.023_8957/02	41.911.043_8957	TOP LID OF CONTROL PANEL
12	41.910.033_8957/02	41.910.033_8957/02	FUEL TANK
12a	46.100.308	46.100.308	GRIP
12b	41.900.936	41.900.936	DRAIN PLUG
12c	41.900.955	41.900.955	KEY DRAIN PLUG
13	41.925.013_8957	41.911.009_8957	BLOWING GRILLE PANEL
14	41.920.113/03	41.910.337	VAPORIZING SECTION
15	41.910.028/01	41.910.028/01	SLIDER
16	41.910.056	41.910.056	BOTTOM
17	41.910.145	41.910.145	COMBUSTION DISH
18	41.900.974/01	41.911.018/01	UPPER RING
18a	41.900.975		HEAT SHIELD
19	41.910.099/01	41.910.099/01	BAFFLE PLATE
20	41.920.010/03	41.910.020/06	COMBUSTION CHAMBER
21	41.910.096	41.910.096	COVER COMBUSTION
21a	41.910.268/01	41.910.268/01	EXPLOSION COVER
22	41.900.736_8957	41.900.736_8957	SEALING COVER
23	41.920.123/01	41.911.042/01	HEAT EXCHANGER
24	40.000.167	40.000.167	THERMOSTAT (2x)
25	41.000.206	41.000.206	LIMIT THERMOSTAT
26	41.910.111_8957	41.910.111_8957	LEVER
27	41.910.108_8957	41.910.108_8957	LOCKING DEVICE
28	41.920.068	41.900.591	FUEL PUMP
29	41.900.560/01	41.900.560/01	PUMP SUPPORT
30	41.900.609	41.900.609	FUEL FILTER
31	41.900.592	41.900.592	DRIVE SHAFT
31a	40.502.000	40.502.000	SPLIT
32	41.900.870/01	41.900.870/01	FUEL TANK FILTER
33	41.910.188	41.910.188	3 WAY T-CONNECTER
34	41.910.339/02	41.910.339/02	SUPPLY LINE
35	41.910.187	41.910.187	CONNECTER
36	41.910.335	41.910.335	DRIP FEED PIPE
37	41.910.159	41.910.159	RETURN PIPE
38	41.900.590	41.910.190	PUMP MOTOR
39	40.507.023	40.507.025	SWITCH
40	41.900.606	41.900.606	SHOVEL

THERMOBILE®

	AT 400	AT 500	Specification English
41	41.925.050_6365	41.925.050_6365	CONTROL PANEL
43	41.000.173	41.000.173	CAPACITOR
44	41.910.286_8957	41.910.286_8957	FAN HOUSING
46	41.921.060_8957	41.911.060_8957	PROTECTION GRILLE
47	41.910.330	41.910.330	MOTOR
48	41.910.331	41.910.331	COMBUSTION FAN
49	40.745.040	40.745.040	HEAT DISTRIBUTOR FAN
49A	41.925.066	41.925.066	PROTECTION GRILLE
50	41.900.598	41.900.598	PILOT LIGHT YELLOW
50a		41.900.599	PILOT LIGHT RED
51	41.910.004	41.910.004	SWITCH OVERFLOW CUP
52	41.920.170	41.920.170	OVERFLOW CUP
53	41.910.186	41.910.186	COMPRESSION SPRING
54	41.900.805	41.900.805	SEALING CORD SMALL
55	41.910.196	41.910.196	SEALING CORD BIG
56	41.925.036/04	41.925.036/04	THERMOSTAT BRACKET
57	41.900.680	41.910.002	T-PIECE WITH DRAFT REGULATOR
58	40.202.090	40.202.090	CROWN STRIP
59	41.925.025/01	41.925.025/01	COOLING PLATE
60	41.925.030/03	41.925.030/03	CABLE LOOM
61		41.911.040/01	UPPER CASE HEAT EXCHANGER
62		41.911.038/01	LOWER CASE HEAT EXCHANGER
63	41.920.122/01	41.911.041/03	TOP LID HEAT EXCHANGER
64	41.920.029/03	41.911.033	LOWER LID HEAT EXCHANGER
65	41.910.135	41.910.135	DOOR SWITCH
66	41.910.105_8957	41.910.105_8957	DOOR PEDAL

THERMOBILE®

	AT 400	AT 500	Specification NEDERLANDS
1	41.925.012_6365	41.910.250_6365/05	ZIJWAND RECHTS
2	41.925.011_6365	41.910.251_6365	ZIJWAND LINKS
3	41.925.016_6365/02	41.910.295_6365/03	ACHTERWAND
4	41.925.014	41.925.014	KOELPLAAT
5	41.910.123_6365	41.910.123_6365	SCHUIFWAND
5a	40.700.037	40.700.037	HANDVAT
6	41.910.073_8957/04	41.910.073_8957/04	GRONDPLAAT
7	41.910.261_8957/03	41.910.261_8957/03	BOVENDEKSEL
7a	40.700.037	40.700.037	HANDVAT
8	41.910.264/01	41.910.264/01	FRAME
8a	41.900.937	41.900.937	SCHARNIER
9	41.925.018_6365/02	41.925.018_6365/02	ZIJPANEEL LINKS
10	41.925.019_6365/01	41.925.019_6365/01	ZIJPANEEL RECHTS
11	41.925.023_8957/02	41.911.043_8957	DEKSEL BEDIENINGSPANEEL
12	41.910.033_8957/02	41.910.033_8957/02	OLIE TANK
12a	46.100.308	46.100.308	HANDVAT
12b	41.900.936	41.900.936	AFTAP PLUG
12c	41.900.955	41.900.955	SLEUTEL AFTAP PLUG
13	41.925.013_8957	41.911.009_8957	UITBLAASROOSTER
14	41.920.113/03	41.910.337	VERDAMPINGSDEEL
15	41.910.028/01	41.910.028/01	SCHUIF
16	41.910.056	41.910.056	BODEM
17	41.910.145	41.910.145	BRANDERSCHAAL
18	41.900.974/01	41.911.018/01	BRANDERRING
18a	41.900.975		HITTESCHILD
19	41.910.099/01	41.910.099/01	VLAMKEERSCHOT
20	41.920.010/03	41.910.020/06	BRANDERKAMER
21	41.910.096	41.910.096	BRANDERKAMERDEKSEL
21a	41.910.268/01	41.910.268/01	EXPLOSIE DEKSEL
22	41.900.736_8957	41.900.736_8957	DEKSEL SLUITING
23	41.920.123/01	41.911.042	WARMTE WISSELAAR
24	40.000.167	40.000.167	THERMOSTAAT (2x)
25	41.000.206	41.000.206	MAXIMAAL THERMOSTAAT
26	41.910.111_8957	41.910.111_8957	HEFBOOM
27	41.910.108_8957	41.910.108_8957	VERGRENDELING
28	41.920.068	41.900.591	BRANDSTOFPOMP
29	41.900.560/01	41.900.560/01	POMP STEUN
30	41.900.609	41.900.609	FILTER
31	41.900.592	41.900.592	AANDRIJFAS
31a	40.502.000	40.502.000	SPLITPEN
32	41.900.870/01	41.900.870/01	TANK FILTER
33	41.910.188	41.910.188	3 WEG KOPPELING
34	41.910.339/02	41.910.339/02	TOEVOER LEIDING
35	41.910.187	41.910.187	KOPPELING
36	41.910.335	41.910.335	INLOOPPIJP
37	41.910.159	41.910.159	RETOUR LEIDING
38	41.900.590	41.910.190	POMP MOTOR
39	40.507.023	40.507.025	SCHAKELAAR
40	41.900.606	41.900.606	SCHEP

THERMOBILE®

	AT 400	AT 500	Specification NEDERLANDS
41	41.925.050_6365	41.925.050_6365	CONTROLE PANEEL
43	41.000.173	41.000.173	CONDENSATOR
44	41.910.286_8957	41.910.286_8957	VENTILATORHUIS
46	41.921.060_8957	41.911.060_8957	BESCHERM GAAS
47	41.910.330	41.910.330	MOTOR
48	41.910.331	41.910.331	VENTILATOR
49	40.745.040	40.745.040	HOOFD VENTILATOR
49A	41.925.066	41.925.066	BESCHERM GAAS
50	41.900.598	41.900.598	CONTROLE LAMP GEEL
50a		41.900.599	CONTROLE LAMP ROOD
51	41.910.004	41.910.004	MICRO SCHAKELAAR
52	41.920.170	41.920.170	OVERLOOP BEKER
53	41.910.186	41.910.186	DRUKVEER
54	41.900.805	41.900.805	AFDICHT KOORD SMAL
55	41.910.196	41.910.196	AFDICHT KOORD DIK
56	41.925.036 /04	41.925.036/04	THERMOSTAAT BEUGEL
57	41.900.680	41.910.002	T-STUK
58	40.202.090	40.202.090	KROON STRIP
59	41.925.025/01	41.925.025/01	KOELPLAAT
60	41.925.030/03	41.925.030/03	KABELBOOM
61		41.911.040/01	BOVENKAST WARMTE WISSELAAR
62		41.911.038/01	ONDERKAST WARMTE WISSELAAR
63	41.920.122/01	41.911.041/03	BOVENPLAAT WARMTE WISSELAAR
64	41.920.029/03	41.911.033	ONDERPLAAT WARMTE WISSELAAR
65	41.910.135	41.910.135	DEUR SCHAKELAAR
66	41.910.105_8957	41.910.105_8957	VOET PEDAAL

THERMOBILE®

	AT 400	AT 500	Specification Deutsch
1	41.925.012_6365	41.910.250_6365/05	SEITENWAND RECHTS
2	41.925.011_6365	41.910.251_6365	SEITENWAND LINKS
3	41.925.016_6365/02	41.910.295_6365/03	RÜCKWAND
4	41.925.014	41.925.014	KUHLPLATTE
5	41.910.123_6365	41.910.123_6365	VORDERSEITE SCHIEBEKASTEN
5a	40.700.037	40.700.037	GRIFF
6	41.910.073_8957/04	41.910.073_8957/04	UNTERSCHALE
7	41.910.261_8957/03	41.910.261_8957/03	DECKPLATTE
7a	40.700.037	40.700.037	GRIFF
8	41.910.264/01	41.910.264/01	RAHMENLEISTE
8a	41.900.937	41.900.937	SCHARNIER
9	41.925.018_6365/02	41.925.018_6365/02	SEITENWAND LINKS
10	41.925.019_6365/01	41.925.019_6365/01	SEITENWAND RECHTS
11	41.925.023_8957/02	41.911.043_8957	DECKPLATTE
12	41.910.033_8957/02	41.910.033_8957/02	BEHALTER
12a	46.100.308	46.100.308	GRIFF
12b	41.900.936	41.900.936	ABLASHAHN
12c	41.900.955	41.900.955	SCHLUSSEL ABLASHAHN
13	41.925.013_8957	41.911.009_8957	AUSBLASGITTER
14	41.920.113/03	41.910.337	ABDÄMPFUNGSTEIL
15	41.910.028/01	41.910.028/01	SCHIEBEKASTEN
16	41.910.056	41.910.056	BRENNERSCHALE BEHALTER
17	41.910.145	41.910.145	BRENNERSCHALE
18	41.900.974/01	41.911.018/01	BRENNER RING
18a	41.900.975		HITZESCHILD
19	41.910.099/01	41.910.099/01	FLAMMENFUHRUNG
20	41.920.010/03	41.910.020/06	BRENNKAMMER
21	41.910.096	41.910.096	BRENNKAMMER DECKEL
21a	41.910.268/01	41.910.268/01	EXPLOSION DECKEL
22	41.900.736_8957	41.900.736_8957	DECKEL VERSCHLUSS
23	41.920.123/01	41.911.042	WARMEAUSTAUSCHER
24	40.000.167	40.000.167	THERMOSTAT (2x)
25	41.000.206	41.000.206	MAXIMAL THERMOSTAT
26	41.910.111_8957	41.910.111_8957	HEBEL
27	41.910.108_8957	41.910.108_8957	VERSCHLUSS
28	41.920.068	41.900.591	BRENNSTOFFPUMPE
29	41.900.560/01	41.900.560/01	STUTZE PUMPE
30	41.900.609	41.900.609	FILTER
31	41.900.592	41.900.592	ANTRIEBSWELLE
31a	40.502.000	40.502.000	SPLINT
32	41.900.870/01	41.900.870/01	TANK FILTER
33	41.910.188	41.910.188	3 WEG KUPPLUNG
34	41.910.339/02	41.910.339/02	ZUFUHRROHR
35	41.910.187	41.910.187	KUPPLUNG
36	41.910.335	41.910.335	EINLAUFROHR
37	41.910.159	41.910.159	RÜCKLEITUNG
38	41.900.590	41.910.190	PUMPEN MOTOR
39	40.507.023	40.507.025	SCHALTER
40	41.900.606	41.900.606	SCHAUFEL

THERMOBILE®

	AT 400	AT 500	Specification Deutsch
41	41.925.050_6365	41.925.050_6365	KONTROLLE PANEL
43	41.000.173	41.000.173	KONDENSATOR
44	41.910.286_8957	41.910.286_8957	VENTILATORGEHAUSE
46	41.921.060_8957	41.911.060_8957	SCHUTZGITTER
47	41.910.330	41.910.330	MOTOR
48	41.910.331	41.910.331	VENTILATOR
49	40.745.040	40.745.040	HAUPT VENTILATOR
49A	41.925.066	41.925.066	SCHUTZGITTER
50	41.900.598	41.900.598	MELDELAMPE GEEL
50a		41.900.599	MELDELAMPE ROOD
51	41.910.004	41.910.004	MIKRO SCHALTER
52	41.920.170	41.920.170	UBERLAUF GEFASS
53	41.910.186	41.910.186	DRUCKFEDER
54	41.900.805	41.900.805	ABDICHTUNGSKORDE SCHMALL
55	41.910.196	41.910.196	ABDICHTUNGSKORDE DICK
56	41.925.036/04	41.925.036/04	THERMOSTAT STUTZE
57	41.900.680	41.910.002	T-STUCK
58	40.202.090	40.202.090	KLEMMENREIHE
59	41.925.025/01	41.925.025/01	KUHLPLATTE
60	41.925.030/03	41.925.030/03	ELEKTRISCHE DRAHTE
61		41.911.040/01	OBENTEIL WARMEAUSTAUSCHER
62		41.911.038/01	UNTERTEIL WARMEAUSTAUSCHER
63	41.920.122/01	41.911.041/03	OBEN PLATTE WARMEAUSTAUSCHER
64	41.920.029/03	41.911.033	UNTER PLATTE WARMEAUSTAUSCHER
65	41.910.135	41.910.135	TUR SCHALTER
66	41.910.105_8957	41.910.105_8957	FUSSHEBEL

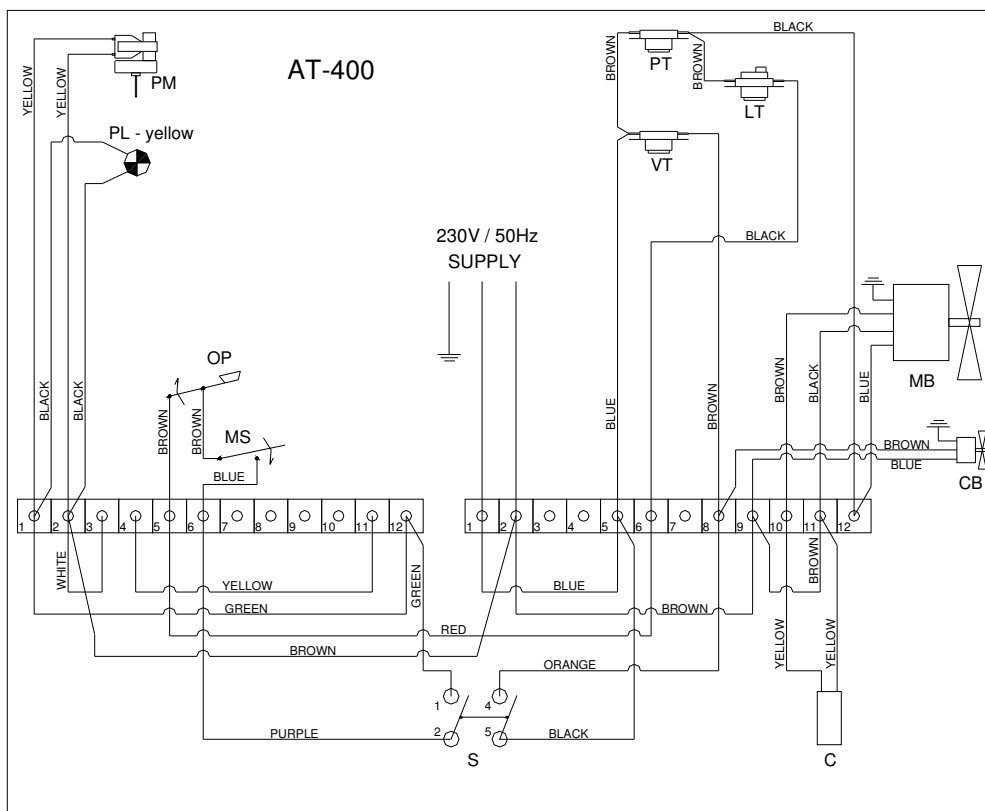
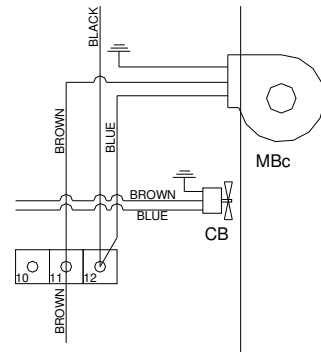
THERMOBILE®

	AT 400	AT 500	Specification Français
1	41.925.012_6365	41.910.250_6365/05	PANNEAU DROIT
2	41.925.011_6365	41.910.251_6365	PANNEAU GAUCHE
3	41.925.016_6365/02	41.910.295_6365/03	PANNEAU ARRIERE
4	41.925.014	41.925.014	PANNEAU REFROIDISSEMENT
5	41.910.123_6365	41.910.123_6365	PANNEAU DU TIROIR
5a	40.700.037	40.700.037	POIGNEE DE CAPOT
6	41.910.073_8957/04	41.910.073_8957/04	COUPELLE INFERIEURE
7	41.910.261_8957/03	41.910.261_8957/03	COUVERCLE SUPERIEUR
7a	40.700.037	40.700.037	POIGNEE DE CAPOT
8	41.910.264/01	41.910.264/01	CHASSIS
8a	41.900.937	41.900.937	CHARNIERE
9	41.925.018_6365/02	41.925.018_6365/02	PANNEAU GAUCHE
10	41.925.019_6365/01	41.925.019_6365/01	PANNEAU DROIT
11	41.925.023_8957/02	41.911.043_8957	COUVERCLE SUPER
12	41.910.033_8957/02	41.910.033_8957/02	RESERVOIR
12a	46.100.308	46.100.308	POIGNEE
12b	41.900.936	41.900.936	BOUCHON DE VIDANGE
12c	41.900.955	41.900.955	CLEF
13	41.925.013_8957	41.911.009_8957	GRILLE A SOUFFLER
14	41.920.113/03	41.910.337	SECTION D EVAPORATION
15	41.910.028/01	41.910.028/01	PANNEAU COULISSANT
16	41.910.056	41.910.056	SUPPORT COUPELLE
17	41.910.145	41.910.145	COUPELLE DE COMBUSTION
18	41.900.974	41.911.018/01	ANNEAU DU BRULEUR
18a	41.900.975		PLAQUE DE CHALEUR
19	41.910.099/01	41.910.099/01	DEFLECTEUR
20	41.920.010/03	41.910.020/06	CHAMBRE DE COMBUSTION
21	41.910.096	41.910.096	COUVERCLE DE LA CHAMBRE DE COMB.
21a	41.910.268/01	41.910.268/01	COUVERCLE EXPLOSION
22	41.900.736_8957	41.900.736_8957	POIGNEE DE COUVERCLE
23	41.920.123/01	41.911.042	ECHANGEUR DE CHALEUR
24	40.000.167	40.000.167	THERMOSTAT (2x)
25	41.000.206	41.000.206	MAXIMAL THERMOSTAT
26	41.910.111_8957	41.910.111_8957	LEVIER
27	41.910.108_8957	41.910.108_8957	DISPOSITIF DE VERROUILAGE
28	41.920.068	41.900.591	POMPE
29	41.900.560/01	41.900.560/01	SUPPORT DE POMPE
30	41.900.609	41.900.609	FILTRE FUEL
31	41.900.592	41.900.592	ARBRE D'ENTRAINEMENT
31a	40.502.000	40.502.000	GOUPILLE
32	41.900.870/01	41.900.870/01	FILTRE
33	41.910.188	41.910.188	ACCOUPEMENT
34	41.910.339/02	41.910.339/02	TUBE D ALIMENTATION
35	41.910.187	41.910.187	ACCOUPEMENT
36	41.910.335	41.910.335	TUBE D ALIMENTATION
37	41.910.159	41.910.159	TUBE DE RETOUR
38	41.900.590	41.910.190	MOTEUR DE POMPE
39	40.507.023	40.507.025	INTERRUPTEUR
40	41.900.606	41.900.606	PELLE

THERMOBILE®

	AT 400	AT 500	Specification Francais
41	41.925.050_6365	41.925.050_6365	PANNEAU DE COMMANDE
43	41.000.173	41.000.173	CONDENSATEUR
44	41.910.286_8957	41.910.286_8957	LOGEMENT DU VENTILATEUR
46	41.921.060_8957	41.911.060_8957	GRILLE
47	41.910.330	41.910.330	MOTEUR
48	41.910.331	41.910.331	VENTILATEUR
49	40.745.040	40.745.040	MOTEUR VENTILATEUR
49A	41.925.066	41.925.066	GRILLE
50	41.900.598	41.900.598	LAMPE TEMOIN JAUNE
50a		41.900.599	LAMPE TEMOIN ROUGE
51	41.910.004	41.910.004	MICRO INTERRUPTEUR
52	41.920.170	41.920.170	CUVETTE DE TROP PLEIN
53	41.910.186	41.910.186	RESSORT DE PRESSION
54	41.900.805	41.900.805	CORDON D ETANCHEITE PETIT
55	41.910.196	41.910.196	CORDON D ETANCHEITE GRANDE
56	41.925.036/04	41.925.036/04	THERMOSTAT BRIDE
57	41.900.680	41.910.002	TE CHEMINEE DIAM 153
58	40.202.090	40.202.090	BANDE CONNECTION
59	41.925.025/01	41.925.025/01	LAME DE REFROIDISSEMENT
60	41.925.030/03	41.925.030/03	CABLE ELECTRIQUE
61		41.911.040/01	PARTIE SUPERIEURE ECHANGEUR DE CHALEUR
62		41.911.038/01	PARTIE INFERIEURE ECHANGEUR DE CHALEUR
63	41.920.122/01/03	41.911.041/03	TOLE SUPERIEURE ECHANGEUR
64	41.920.029/03	41.911.033	TOLE INFERIEURE ECHANGEUR
65	41.910.135	41.910.135	INTERRUPTEUR TIROIR
66	41.910.105_8957	41.910.105_8957	PEDALE

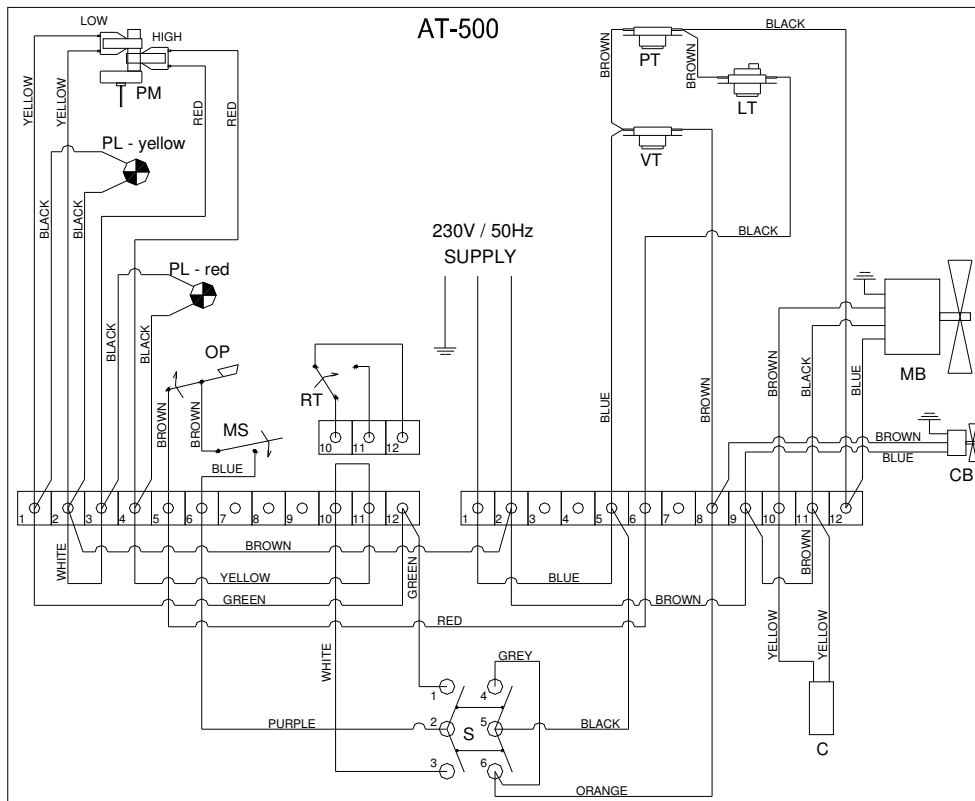
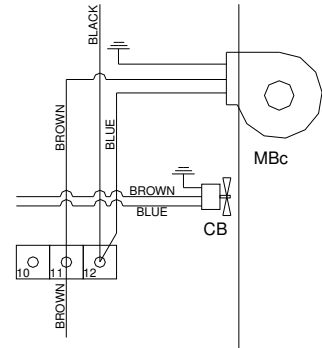
THERMOBILE®



MS : Microswitch for pump stop security
 MB : Main fan
 PM : Pump motor
 LT : Limit thermostat
 PT : Pump thermostat
 VT : Combustion air thermostat
 MBc : Main fan radial for C-kit (Ancillary)

CB : Combustion air intake fan
 PL : Pilot light
 OP : microswitch for Overflow Protection
 S : Switch
 C : Capacitor

40.020.674/02



MS : Microswitch for pump stop security
 MB : Main fan
 PM : Pump motor
 LT : Limit thermostat
 PT : Pump thermostat
 VT : Combustion air thermostat
 MBc : Main fan radial for C-kit (Ancillary)

CB : Combustion air intake fan
 PL : Pilot light
 OP : microswitch for Overflow Protection
 S : Switch
 C : Capacitor
 RT : Room thermostat (Accessory for AT-500)

40.020.592/03

EG-VERKLARING VAN OVEREENSTEMMING

THERMOBILE INDUSTRIES B.V.
Gevestigd aan de Konijnenberg 80 , 4825 BD BREDA,
Verklaren geheel onder eigen verantwoordelijkheid dat het producten,

STATIONAIRE AFVALOLIE GESTOOKTE LUCHTVERHITTER AT 306 307 400 500

Voldoen aan de volgende EG – richtlijnen.

Machine-richtlijnen: 2006/42/EG
Laagspanningsrichtlijn: 2006/95/EG
EMC-richtlijn: 2004/108/EG

Nederland, Maurice de Vlieger Handtekening,
Breda, 23-3-2011 Sales & Marketing
Director

EG-KONFORMITÄTSERKLÄRUNG

THERMOBILE INDUSTRIES B.V.
Konijnenberg 80 , 4825 BD BREDA,

Erklären hiermit eigenverantwortlich , daß die Produkte,

FESTSTEHENDE, MIT ALTÖ GEHEIZTE LUFTERHITZER AT 306 307 400 500

Woauf sich diese Erklärung bezieht, hergestellt ist gemäß der

Bestimmungen der Richtlinien für:
Machinen-Richtlinien: 2006/42/EG
Niederspannungsrichtlinie: 2006/95/EG
EMV-Richtlinie: 2004/108/EG

Die Niederlande, Maurice de Vlieger Unterschrift,
Breda, 23-3-2011 Sales & Marketing
Director

CE-DECLARATION OF CONFORMANCE

THERMOBILE INDUSTRIES B.V.
Konijnenberg 80 , 4825 BD BREDA,

Declares fully under own responsibility that the products:

STATIONARY USED OIL HEATER AT 306, 307 and 400, 500

To which this statement has reference to, are in conformity with the following regulations:

Machine-regulations: 2006/42/CE
Low Voltage Directive: 2006/95/CE
EMC-directive: 2004/108/CE

The Netherlands, Maurice de Vlieger Signature,
Breda, 23-3-2011 Sales & Marketing
Director

DÉCLARATION DE CONFORMITÉ CE

THERMOBILE INDUSTRIES B.V.
Konijnenberg 80 , 4825 BD BREDA, LES PAYS-BAS
Déclare sous sa seule responsabilité que les produits:

GÉNÉRATEUR D'AIR CHAUD POUR AT 306, 307, 400, 500

Auxquels se réfère cette déclaration, sont conformes aux normes suivantes:

Directive sur les machines:2006/42/CE
Directive sur la basse tension: 2006/95/CE
Directive sur la compatibilité électromagnétique: 2004/108/CE

Les Pays-Bas, Maurice de Vlieger Signature,
Breda, 23-3-2011 Sales & Marketing
Director

DECLARACIÓN DE CONFORMIDAD CE

THERMOBILE INDUSTRIES B.V.,
Konijnenberg 80, NL-4825 BD BREDA,
declara, bajo su propia responsabilidad, que los productos:

GENERADORES DE AIRE CALIENTE DE USO ESTACIONARIO QUE UTILIZAN ACEITE AT 306, 307, 400 and 500

a los que se refiere esta declaración, se encuentran en conformidad con las siguientes Directivas:

Directivas sobre máquinas: 2006/42/CE
Directiva de Bajo Voltaje: 2006/95/CE
Directiva sobre compatibilidad
electromagnética (EMC): 2004/108/CE

Holanda, Breda, Maurice de Vlieger Signature,
09-05-2011 Sales & Marketing
Director

ЕС-Декларация соответствия

THERMOBILE INDUSTRIES B.V.,
Konijnenberg 80, NL-4825 BD BREDA с
полной ответственностью заявляет, что изделия:

ЖИДКОТОПЛИВНЫЕ НАГРЕВАТЕЛИ НЕПРЯМОГО ТИПА AT 306 307 400 500

соответствуют следующим директивам ЕС:
Нормативам по машиностроению:2006/42/ЕС
Нормативам по низкому напряжению:2006/95/ЕС
EMC-нормативам: 2004/108/ЕС

Нидерланды, Maurice de Vlieger
Бреда, Sales & Marketing
09-05-2011 Director

