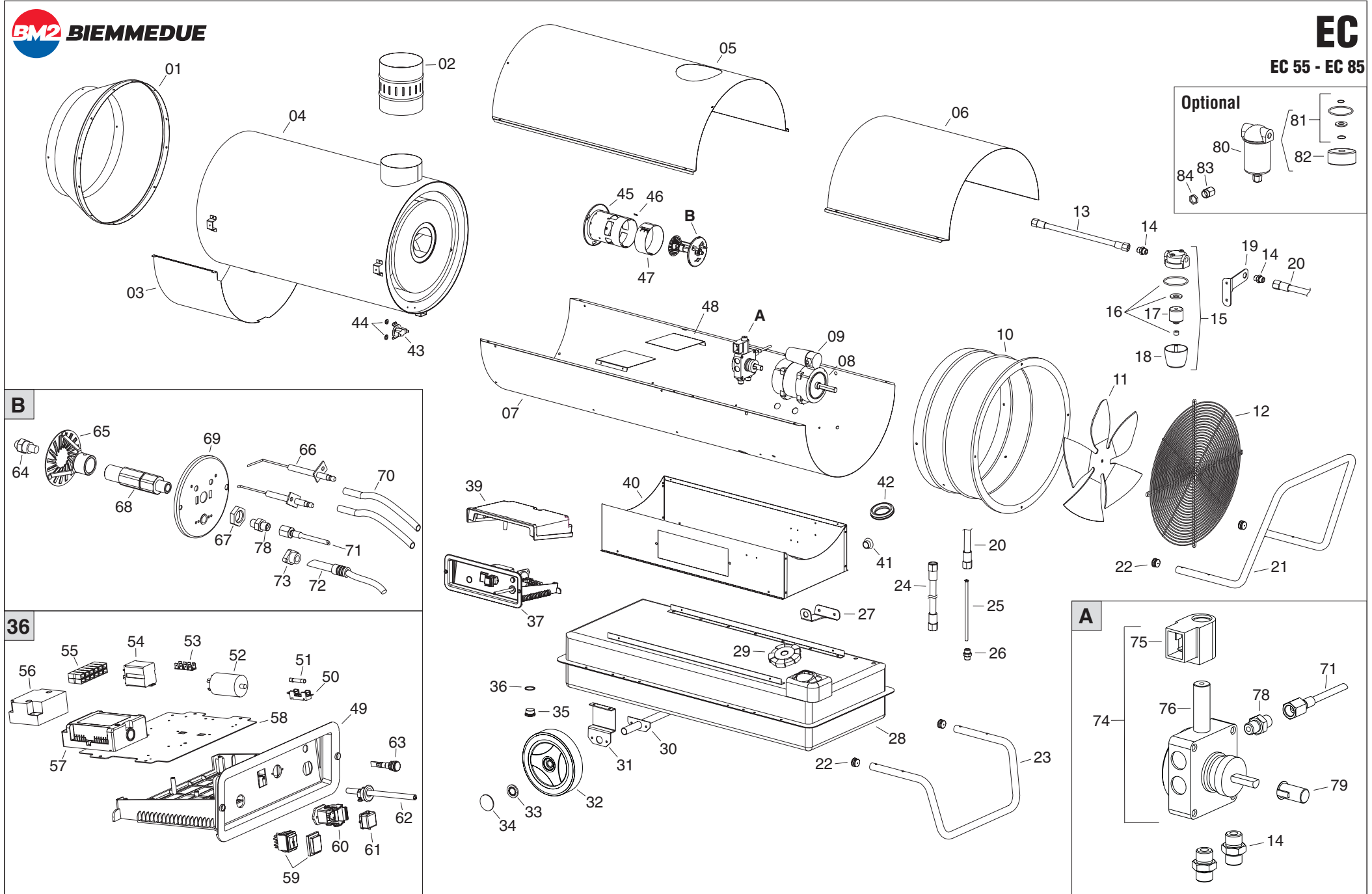




EC

EC 55 - EC 85



Pos.	Cod.	€	EC 55	EC 85	LEGENDA	LEGENDE	NOMENKLATUR	PART LIST
01	G06113-3001 G06114-3001		•	•	Cono diffusore	Embout conique	Ausblaskonus	Outlet cone
02	G06077		•	•	Raccordo camino Ø 150	Cheminée Ø 150	Kamin Ø 150	Chimney Ø 150
03	G06174 G06175		•	•	Protezione camera combustione	Protection chambre de combustion	Brennkammerabdeckblech	Combustion chamber support
04	G06176 G06177		•	•	Camera di combustione	Chambre de combustion	Brennkammer	Combustion chamber
05	G06119-3001 G06120-3001		•	•	Scocca superiore	Carrosserie sup.	Haube	Upper body
06	G06121-3001 G06122-3001		•	•	Coperchio ispezione	Porte visite	Inspektionsklappe	Cover inspection
07	G06178-3001 G06179-3001		•	•	Scocca inferiore	Carrosserie Inf.	Karosserie Unterteil	Lower body
08	E10678 E10679		•	•	Motore 450W c/condens. Motore 750W c/condens.	Moteur 450W avec condensateur Moteur 750W avec condensateur	Motor 450W mit Kondensator Motor 750W mit Kondensator	Motor 450W with condenser Motor 750W with condenser
09	E11202 E11232		•	•	Condensatore 16 µF Condensatore 25 µF	Condensateur 16 µF Condensateur 25 µF	Kondensator 16 µF Kondensator 25 µF	Condenser 16 µF Condenser 25 µF
10	G06125-3001 G06126-3001		•	•	Supporto motore ventola	Bride support moteur	Motor Flansch	Motor flange
11	T10258 T10259		•	•	Ventola Ø350 23° Ventola Ø500 33°	Ventilateur Ø350 23° Ventilateur Ø500 33°	Ventilator Ø350 23° Ventilator Ø500 33°	Fan Ø350 23° Fan Ø500 33°
12	P30169 P30129		•	•	Griglia aspirazione	Grille protection	Schutzgitter	Inlet grille
13	I40330		•	•	Tubo BP 1/4" FF L.420 mm	Tube BP 1/4" FF L.420mm	Rohr BP 1/4" FF L.420mm	Tube BP 1/4" FF L.420mm
14	I20104		•	•	Nipplo FE 1/4" MM	Nipplo FE 1/4" MM	Nipplo FE 1/4" MM	Nipplo FE 1/4" MM
15	T20201		•	•	Filtro gasolio compl.	Filter avec cartouche	Filter komp.	Filter with cartridge
16	T20234		•	•	Kit OR filtro gasolio	KIT OR filtre gasoil	Kit OR heizölfilter	OR KIToil filter
17	T20206		•	•	Cartuccia filtro	Cartouche filtre	Filterelement	Filter cartridge
18	T20212		•	•	Bicchiera filtro	Cuve filtre	Filtergehäuse	Filter housing
19	G06104-9005		•	•	Supporto filtro	Support	Stütze	Filter support
20	I40329		•	•	Tubo BP 1/4" FF L.260mm	Tube BP 1/4" FF L.260mm	Rohr BP 1/4" FF L.260mm	Tube BP 1/4" FF L.260mm
21	P20174-9005 P20176-9005		•	•	Maniglia	Poignée	Handgriff	Handle
22	C30319		•	•	Tappo copritesta Ø25	Bouchon Ø25	Gummifuss Ø25	Plug Ø25
23	P20175-9005 P20177-9005		•	•	Piede	Pied	Fuß	Foot
24	I40331		•	•	Tubo BP 1/4" F L.580 mm.	Tube BP 1/4" F L.580mm	Rohr BP 1/4" F L.580mm	Tube BP 1/4" F L.580mm
25	I30696		•	•	Pescante L.220mm	Pascante L.220mm	Pascante L.220mm	Pascante L.220mm
26	I30737		•	•	Nipplo OT 1/4" M - M12x1,75 M	Nipplo OT 1/4" M - M12x1,75 M	Nipplo OT 1/4" M - M12x1,75 M	Nipplo OT 1/4" M - M12x1,75 M
27	G06068-9005		•	•	Gancio cavo alimentazione	Crochet câble d'alimentation	Haken Netzkabel	Power lead hook
28	G06110-9005 G06128-9005		•	•	Serbatoio gasolio 65 l Serbatoio gasolio 105 l	Réservoir fuel 65 l Réservoir fuel 105 l	Tank 65 l Tank 105 l	Fuel tank 65 l Fuel tank 105 l
29	C30356		•	•	Tappo bocchettone	Bouchon	Pfropfen	Drain plug
30	G06137-9005 G06138-9005		•	•	Assale	Essieu	Achse	Wheel axle
31	G06106-9005		•	•	Staffa su assale ruote	Support on essieu roues	Bügel auf der elektrische Achse	Wheels axle support
32	C10544		•	•	Ruota Ø 250 - Ø 20	Roue Ø 250 - Ø 20	Rad Ø 250 - Ø 20	Wheel Ø 250 - Ø 20
33	M20203		•	•	Rondella el. block Ø 20	Clips de fixation Ø 20	Radverschluss Ø 20	Whell holder Ø 20
34	C10513-R		•	•	Borchia Pl. Rossa	Cabochoon	Deckel	Cover
35	I25019		•	•	Tappo Serbatoio M30x1,5	Bouchon de vidange	Abläss Propfen Oel	Drain plug
36	C30350		•	•	OR Ø30 x 2,62	OR Ø30 x 2,62	OR Ø30 x 2,62	OR Ø30 x 2,62
37	G00228 G00229		•	•	Quadro elettrico	Coffret électrique	Elektrokasten	El. componets drawer
39	P50127		•	•	Copertura quadro elettrico	Couverture coffret électrique	Abdeckung Schalttafel	Control box cover
40	G06135-3001 G06180-3001		•	•	Basamento	Base	Kastenträger	Base
41	C30319		•	•	Tappo plastica	Bouchon	Stopfen	Rubber tap
42	C30307		•	•	Passatubo gomma Ø 35	Prot. caoutchouc Ø 35	Kabeltülle Ø 35	Protection cable Ø 35

Pos.	Cod.	€	EC 55	EC 85	LEGENDA	LEGENDE	NOMENKLATUR	PART LIST
43	E50102		●	●	Capsula termostatica Limit	Thermostat bilame Limit	Thermostat Limit	Limit Thermostat
44	M20107		●	●	Rondella Ø5 x Ø15 x 1,5	Rondelle Ø5 x Ø15 x 1,5	Abstandsring Ø5 x Ø15 x 1,5	Washer Ø5 x Ø15 x 1,5
45	G06181 G06182		●	●	Boccaglio	Gueulard	Brennrohr	Blast tube
46	E20671		●	●	Morsettierra terra	Barrette de connection	Klemmreiche	Terminal board
47	G06183		●	●	Anello regolazione aria	Volet réglage air	Brennluftklappe	Air regulatoin flap
48	G01061-1 G01061-2		●	●	Convogliatore aria destro Convogliatore aria sinistro	Déflcteur droit d'air Déflcteur gauche d'air	Luftleitblech rechts Luftleitblech links	Right air flap Left air flap
49	G06153		●	●	Supporto quadro elettrico	Support coffret électrique	Steuergeräthalerung	Electr. componets drawer
50	E20508		●	●	Porta fusibile	Porte fusible	Sicherungschalter	Fuse holder
51	E10307 E10308		●	●	Fusibile vetro (6x30) 6,3A Fusibile vetro (6x30) 10A	Fusible (6x30) 6,3A Fusible (6x30) 10A	Sicherung (6x30) 6,3A Sicherung (6x30) 10A	Fuse (6x30) 6,3A Fuse (6x30)10A
52	E11135		●	●	Filtro antidisturbo DEM	Filtre atipararites DEM	Funk-enstorfilter DEM	Anti-jamming filter DEM
53	E20319		●	●	Morsettierra terra	Barrette de connection	Klemmreiche	Terminal board
54	E11120		●	●	Relè Finder 65.31 AC 220V	Relais Finder 65.31 AC 220V	Relais Finder 65.31 AC 220V	Relay Finder 65.31 AC 220V
55	E20305		●	●	Morsettierra	Barrette de connection	Klemmreiche	Terminal board
56	E10920		●	●	Trasformatore A.T. TRK1 230V	Transformateur H.T. TRK1 230V	Zündtrafo H.T. TRK1 230V	Transformer H.T. TRK1 230V
57	E40422		●	●	Apparecehiatura BRAHMA TGRD-72	Coffret BRAHMA TGRD-72	Steuergerät BRAHMA TGRD-72	Control box BRAHMA TGRD-72
58	G06073		●	●	Piastra supporto elementi elettrici	Plaqu support	Tragplatte für elektrische Teile	Plate for electrical components
59	E10102-P		●	●	Interruttore bipolare 0 - 1	Interrupteur 0 - 1	Schalter 0 - 1	Switch 0 - 1
60	E20640		●	●	Connettore presa 3P+T	Fiche thermostat 3P+T	Thermostat stecker 3P+T	Thermostat plug 3P+T
61	E20665		●	●	Tappo	Bouchon	Pfropfen	Drain plug
62	E30440		●	●	Cavo elettrico c/spina e pressacavo	Câble avec fiche et presse câble	Kabel mit steckdose und kabelpresse	El. wire with plug and cable fastener
63	E11030		●	●	Lampada 230V	Lampe 230V	Kontrolllampe 230V	Lamp 230V
64	T20355 T20356		●	●	Ugello 1,10 GPH 80° W Ugello 1,50 GPH 80° W	Gicleur 1,10 GPH 80° W Gicleur 1,50 GPH 80° W	Düse 1,10 GPH 80° W Düse 1,50 GPH 80° W	Nozzle 1,10 GPH 80° W Nozzle 1,50 GPH 80° W
65	G01077		●	●	Deflettore centrato	Accroche flamme	Stauscheibe	Turbo disc
66	E10215		●	●	Elettrodo c/piastrina	Électrode	Elektrode	Electrode
67	I31034		●	●	Controdado OT. M14	Ecrou M14	Mutter M14	Nut M14
68	I33005		●	●	Canotto portaugello	Support gicleur	Düsehalter	Nozzle support
69	P20531		●	●	Flangia supp. Bruciatore Ø 102mm	Bride Brûleur Ø 102mm	Brenner Flansch Ø 102mm	Burner flange Ø 102mm
70	G02075		●	●	Cavo A.T. L.1000m	Conn. câble 90° H.T.	H.S. Anschluß 90°	H.T. Cable connect. 90°
71	I40192		●	●	Microtubo	Microtube	Microschlauch	Micropipe
72	E50325		●	●	Fotoresistenza BRAHMA FC 11	Photoreisis. BRAHMA FC 11	Fotozelle BRAHMA FC 11	Ld ph. Unit BRAHMA FC 11
73	E50325-FL		●	●	Flangia Fotoresistenza	Bride	Fotozelle Flansch	Flange
74	T20410 T20411		●	●	Pompa BFP11 R3 Danfoss Pompa BFP11 R5 Danfoss	Pompe BFP11 R3 Danfoss Pompe BFP11 R5 Danfoss	Pumpe BFP11 R3 Danfoss Pumpe BFP11 R5 Danfoss	Pump Danfoss BFP11 R3 Danfoss Pump Danfoss BFP11 R5 Danfoss
75	T20114		●	●	Bobina E.V. Danfoss	Bobine E.V. Danfoss	Spule Danfoss	Solenoid spool Danfoss
76	T20117		●	●	Corpo E.V. Danfoss	Electrovanne Danfoss	Magnetventil Danfoss	Solenoid valve Danfoss
77	I20115		●	●	Nipplo FE 1/8" MM	Nipplo FE 1/8" MM	Nipplo FE 1/8" MM	Nipplo FE 1/8" MM
79	E10513 E10514		●	●	Giunto Pl. mot.-pompa K1 Giunto Pl. mot.-pompa K2	Accouplement Pl. K1 Accouplement Pl. K2	PlastikKuplung K1 PlastikKuplung K2	Coupling K1 Coupling K2
80	T20240		●	●	Filtro gasolio c/preiscaldo 1/4" 220V	Filtre pre-chauffage 1/4" 220V	Heizölvorwärmfilter 1/4" 220V	Oil pre-heaters filter 1/4" 220V
81	T20241		●	●	Kit OR filtro gasolio	KIT OR filtre gasoil	OR Heizölfilter	OR KIToil filter
82	T20242		●	●	Cartuccia filtro	Cartouche filtre	Filterelement	Filter cartridge
83	E20953		●	●	Pressacavo PL. PG11	Embout fixe-cable PG11	Kabelhalter PG11	Cable holder PG11
84	E20954		●	●	Ghiera PL PG11	Embout PG11	Nutmutter PG11	Ring nut PG11

Errata Corrige

57	E40120		●	●	Apparecehiatura BRAHMA TGRD 92	Coffret BRAHMA TGRD 92	Steuergerät BRAHMA TGRD 92	Control box BRAHMA TGRD 92
----	--------	--	---	---	--------------------------------	------------------------	----------------------------	----------------------------